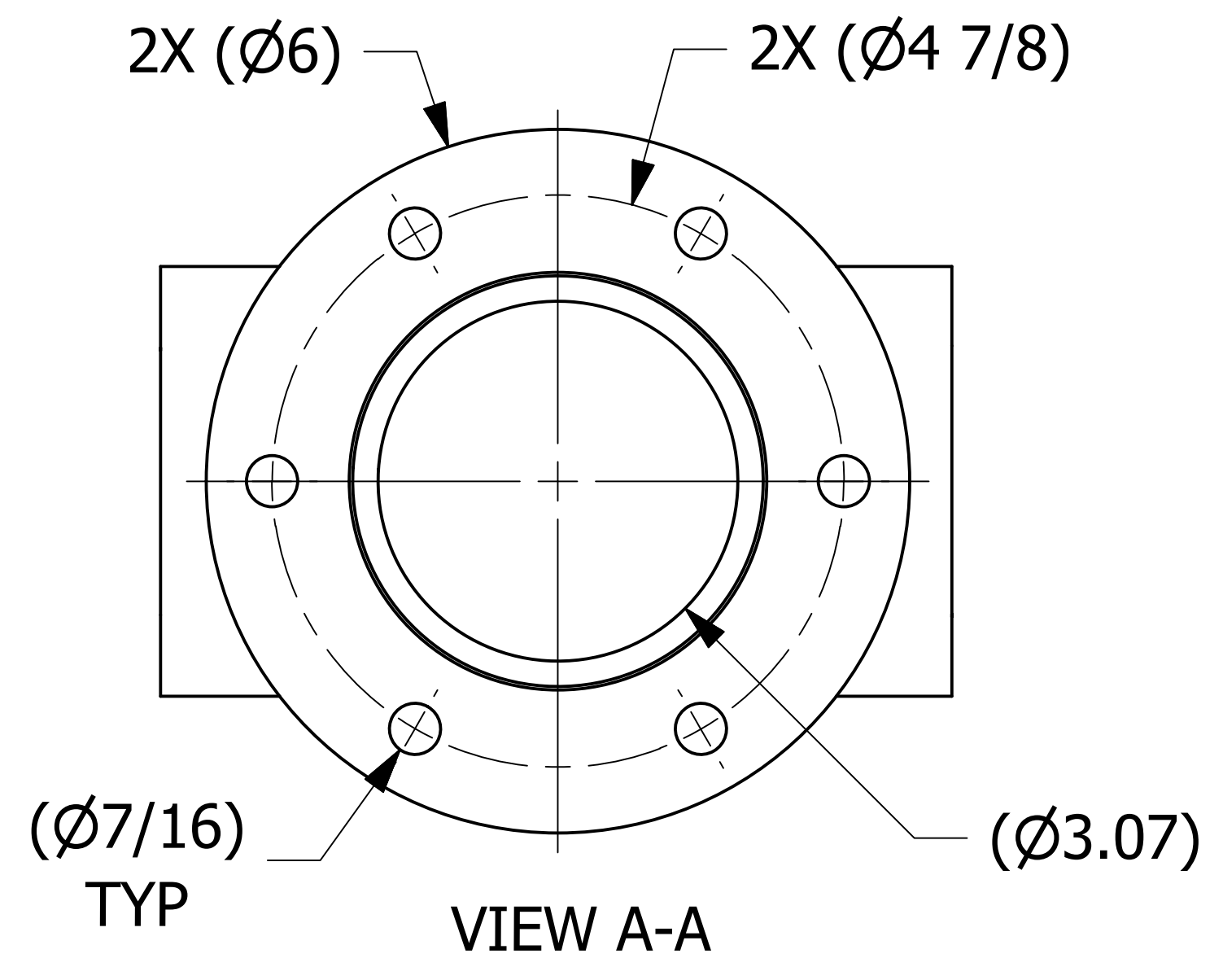
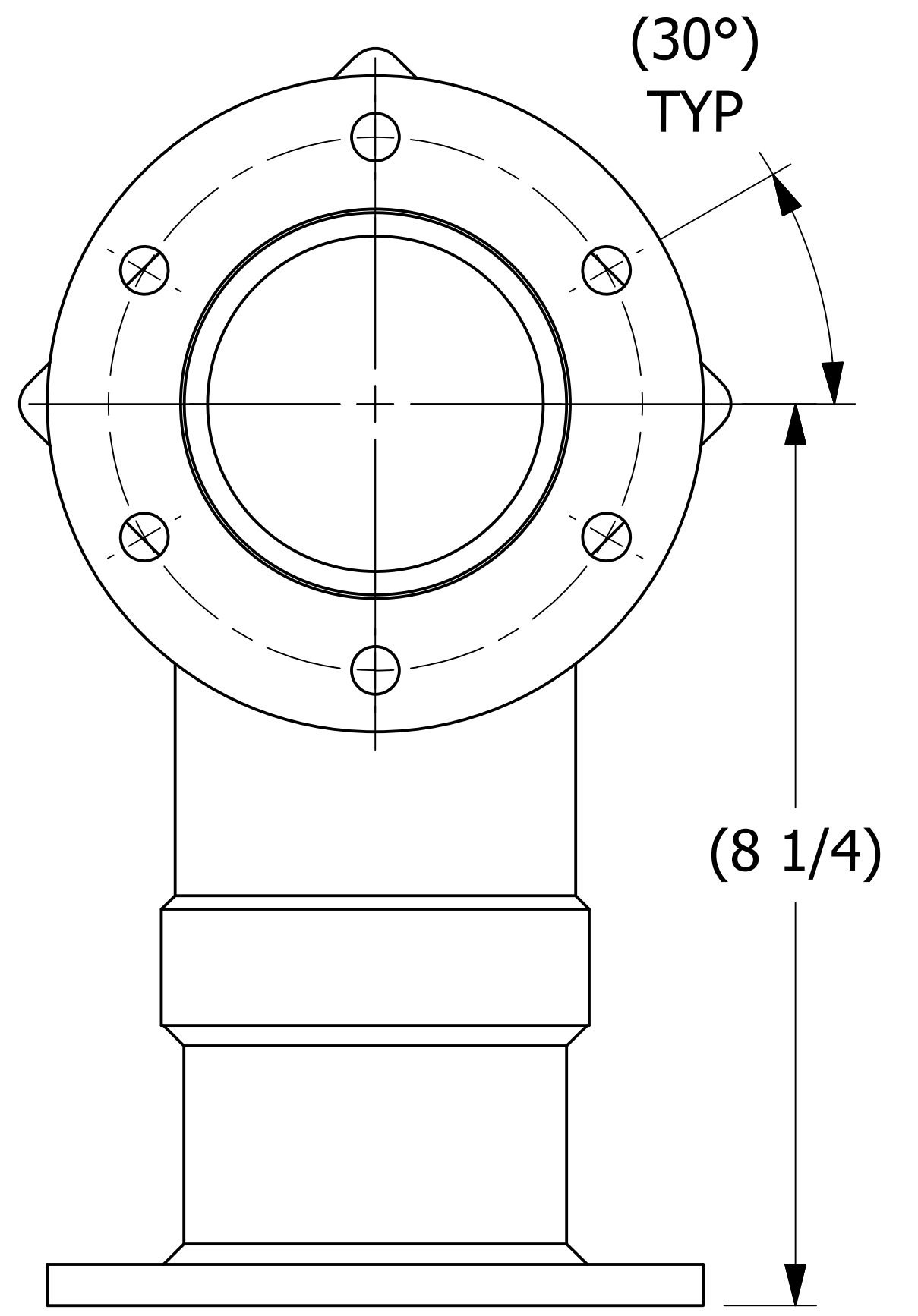
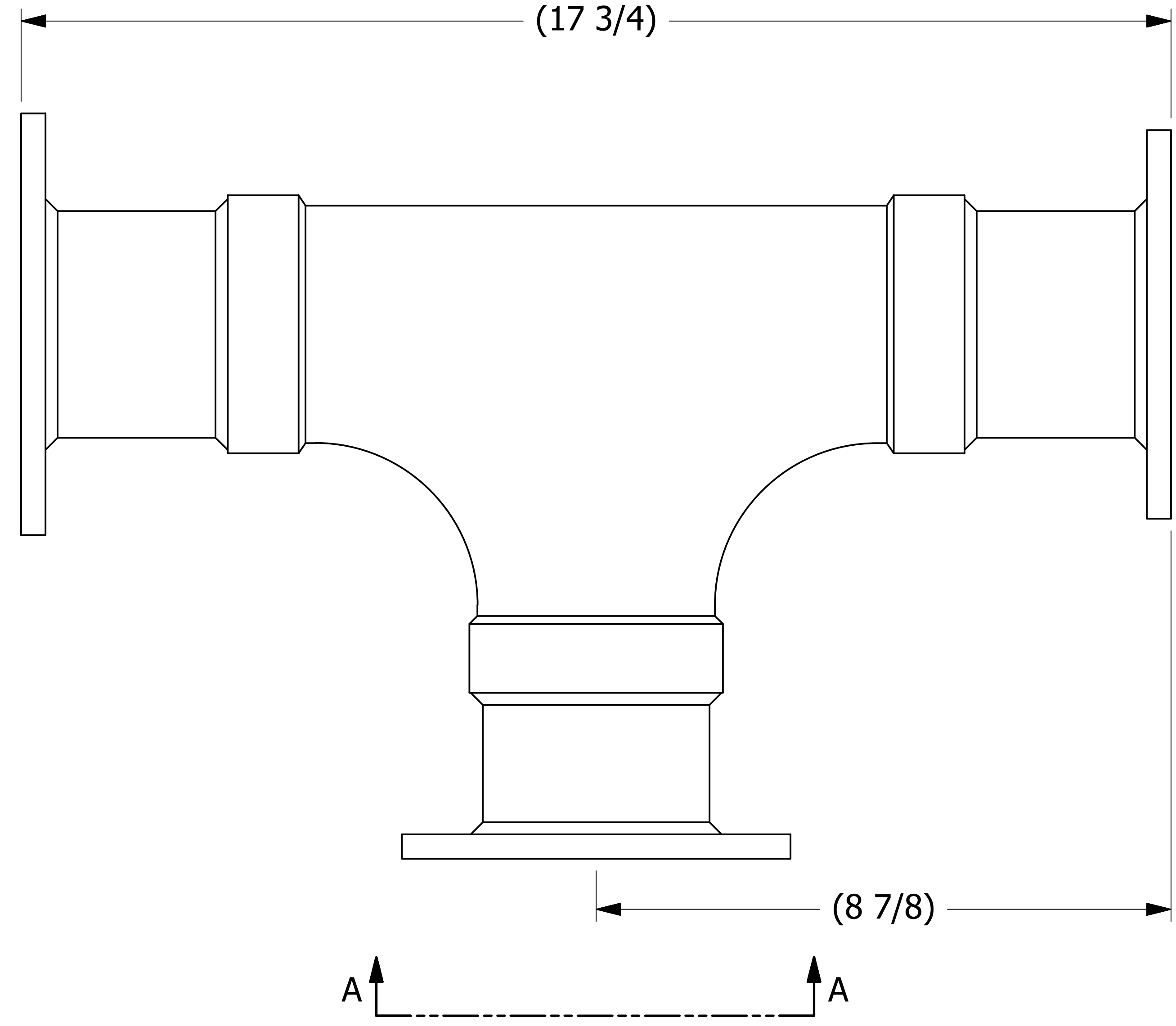
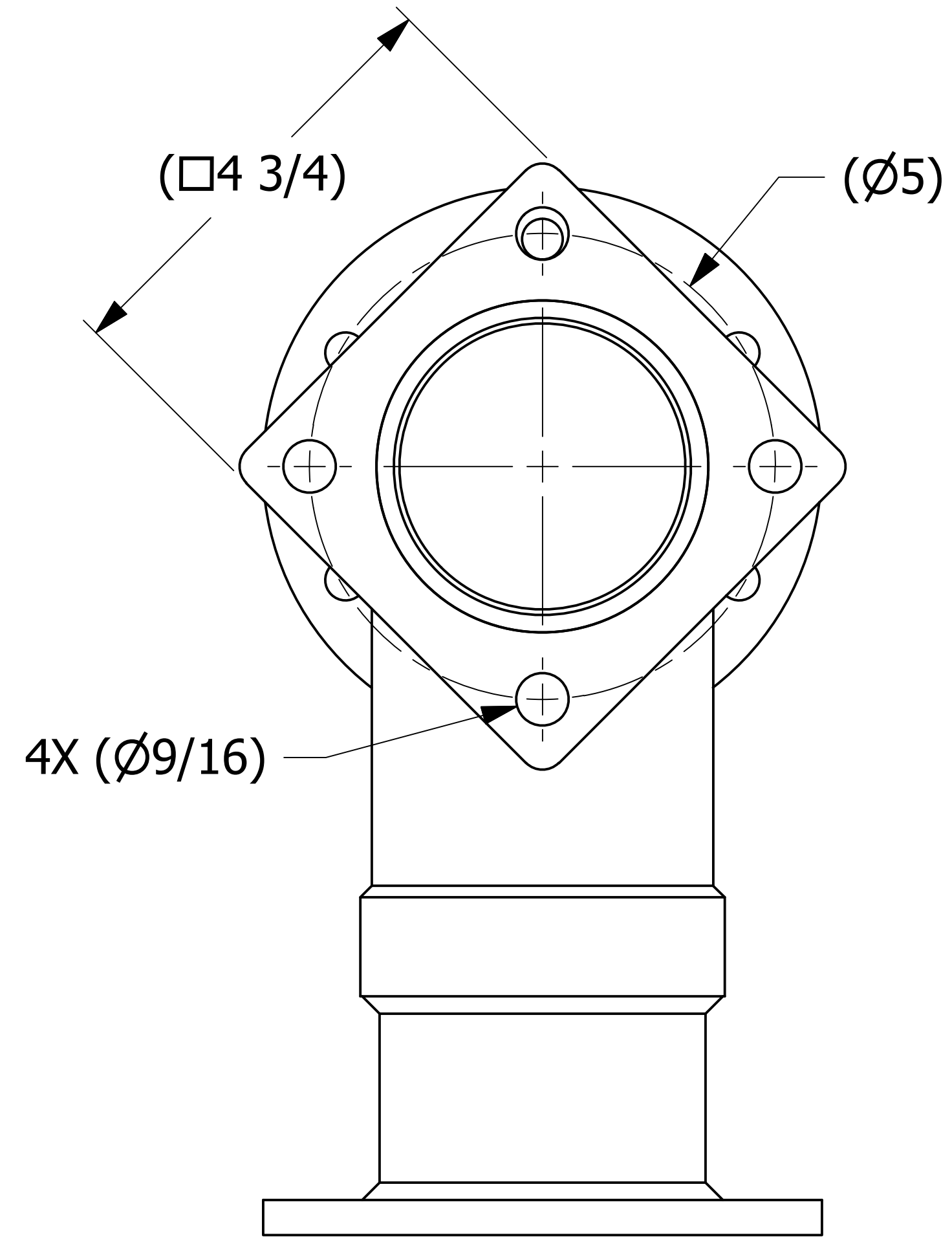


SALES DRAWING SALES DRAWING SALES DRAWING SALES DRAWING

SALES DRAWING SALES DRAWING SALES DRAWING SALES DRAWING



UNLESS OTHERWISE SPECIFIED DIMENSIONAL TOLERANCES FRACTIONAL: $\pm 1/16$ X.XX: $\pm .03$ X.XXX: $\pm .015$ ANGULAR: $\pm 1^\circ$ DEBURR ALL SHARP EDGES. ALL MACHINED SURFACES TO HAVE A 125 RMS FINISH UNLESS NOTED OTHERWISE. THIRD ANGLE PROJECTION	DRAWN BY:	ACC
	CHECKED BY:	
	PROTOTYPE DATE:	11/27/2001
	APPROVED FOR PRODUCTION BY:	ACC
	PRODUCTION DATE:	11/27/2001
SIZE:	D	
	DRAWING #:	16432

F	TAK	4/7/20	202110211422	CHL
REV	BY	DATE	REF #	PUB
SALCO PRODUCTS, INC.				
PART NAME: PIPE TEE 3"				
MATERIAL: ALUMINUM				
PROJECT #: 010910			SHEET #: 1 OF 1	SCALE: 3:4
PART #: PD3ABT02				